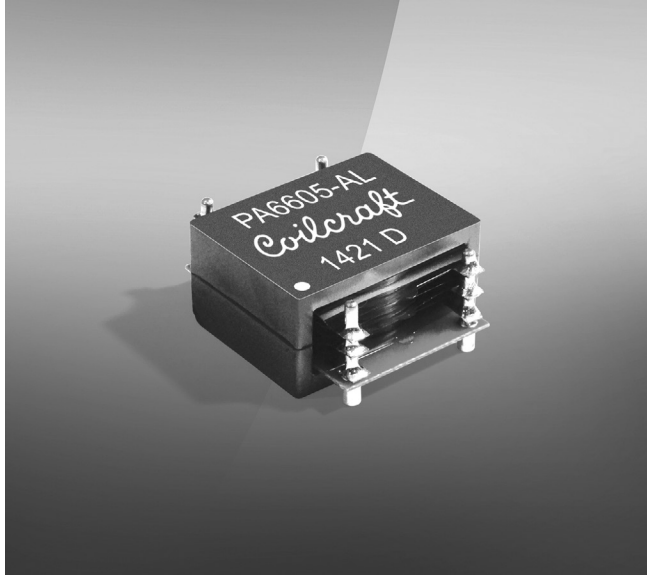




Planar Transformer

For TI LM5122 Synchronous Flyback Controller



- Designed for Texas Instruments LM5122 Synchronous Flyback Controller with Multiple Phase Capability
- 96% efficiency
- 9.0 – 60 V input; up to 12 V, 5 A output
- 1500 Vrms, one minute isolation (hipot) from primary to secondary; 500 Vrms windings to core

Core material Ferrite

Terminations Matte tin over nickel over brass.

Weight 24 g

Ambient temperature –40°C to +125°C

Storage temperature Component: –40°C to +125°C.

Tray packaging: –40°C to +80°C

Resistance to soldering heat Max three 40 second reflows at +260°C, parts cooled to room temperature between cycles

Moisture Sensitivity Level (MSL) 1 (unlimited floor life at <30°C / 85% relative humidity)

Failures in Time (FIT) / Mean Time Between Failures (MTBF)

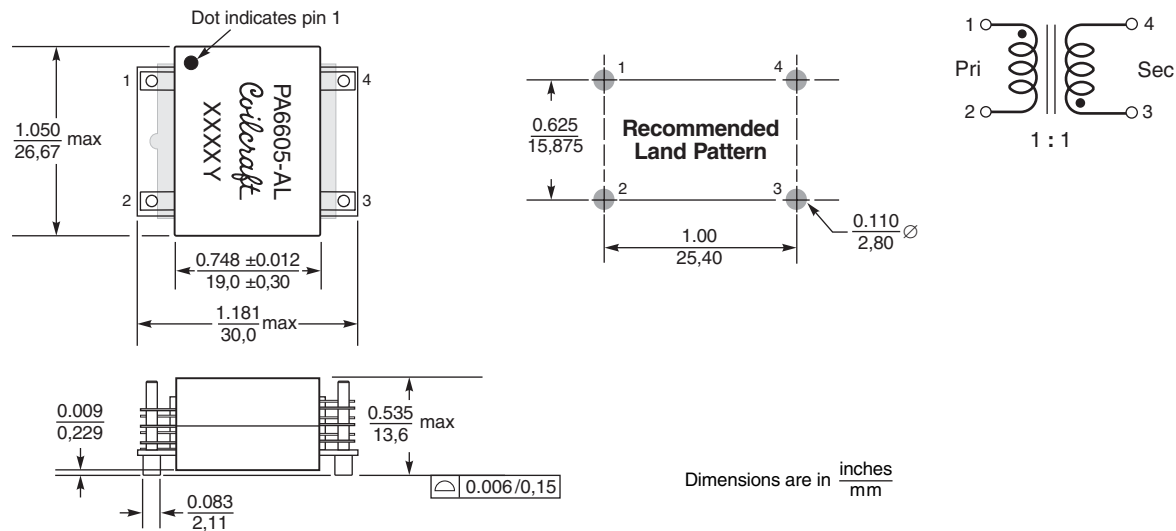
38 per billion hours / 26,315,789 hours, calculated per Telcordia SR-332

Packaging 25 parts per tray

PCB washing Tested to MIL-STD-202 Method 215 plus an additional aqueous wash. See [Doc787 PCB Washing.pdf](#).

Part number	Inductance at 0A ¹ ±10% (µH)	Inductance at Ipk ² min (µH)	DCR max ³ (mOhms)	Leakage inductance ⁴ max (µH)	Ipk ² (A dc)	Output
PA6605-AL	10	9.0	4.7	0.13	12.5	12 V, 5 A

1. Inductance is for the primary and is measured at 250 kHz, 0.1 Vrms.
 2. Ipk is the current drawn at minimum input voltage
 3. DCR is for each winding
 4. Leakage inductance is for the primary, measured at 250 kHz, 0.1 Vrms with secondary winding shorted.
 5. Electrical specifications at 25°C.
- Refer to Doc 362 "Soldering Surface Mount Components" before soldering.



Dimensions are in inches / mm



US +1-847-639-6400 sales@coilcraft.com
UK +44-1236-730595 sales@coilcraft-europe.com
Taiwan +886-2-2264 3646 sales@coilcraft.com.tw
China +86-21-6218 8074 sales@coilcraft.com.cn
Singapore + 65-6484 8412 sales@coilcraft.com.sg

Document 1213 Revised 05/03/18
 © Coilcraft Inc. 2018
 This product may not be used in medical or high risk applications without prior Coilcraft approval. Specification subject to change without notice. Please check web site for latest information.